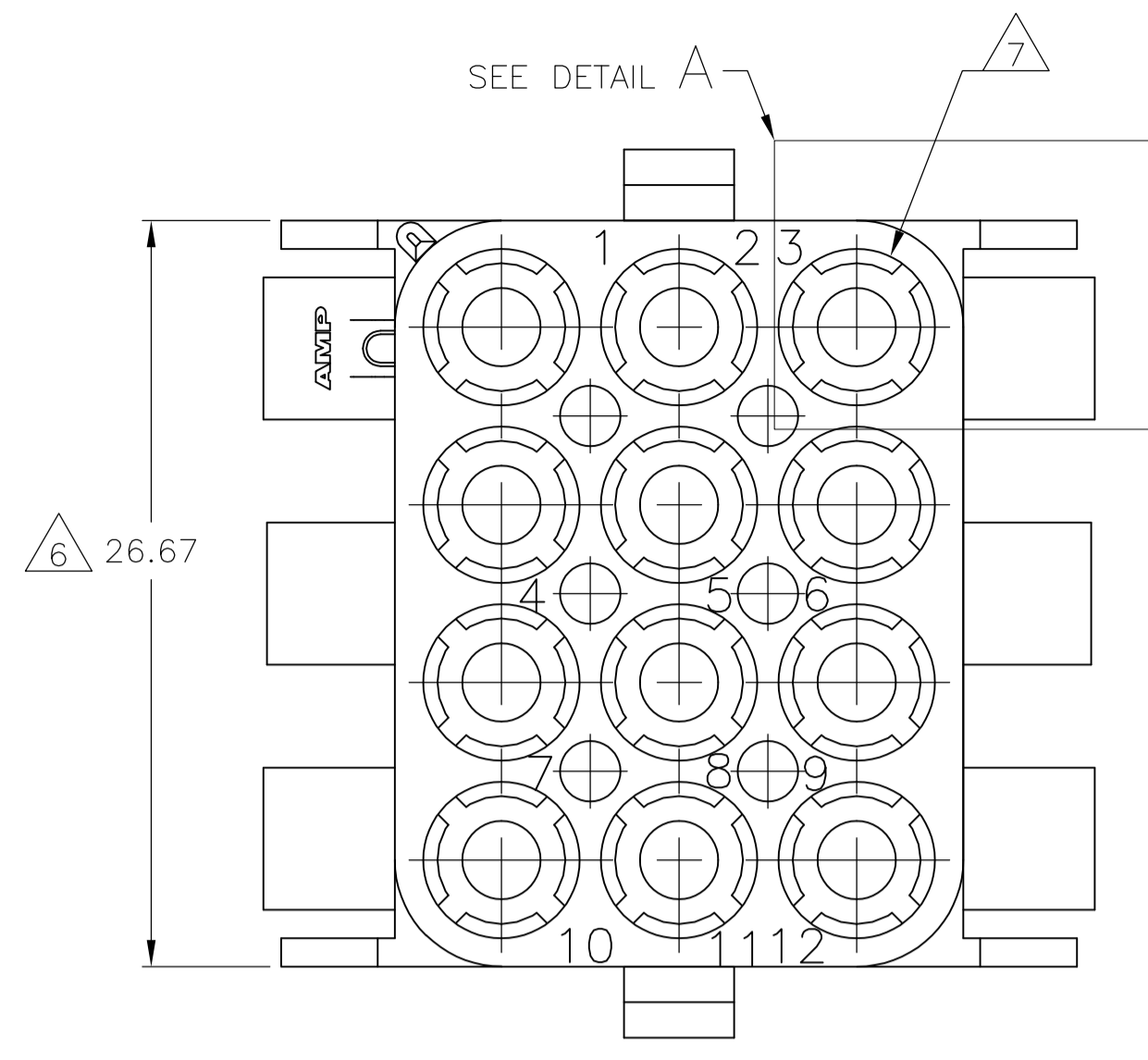
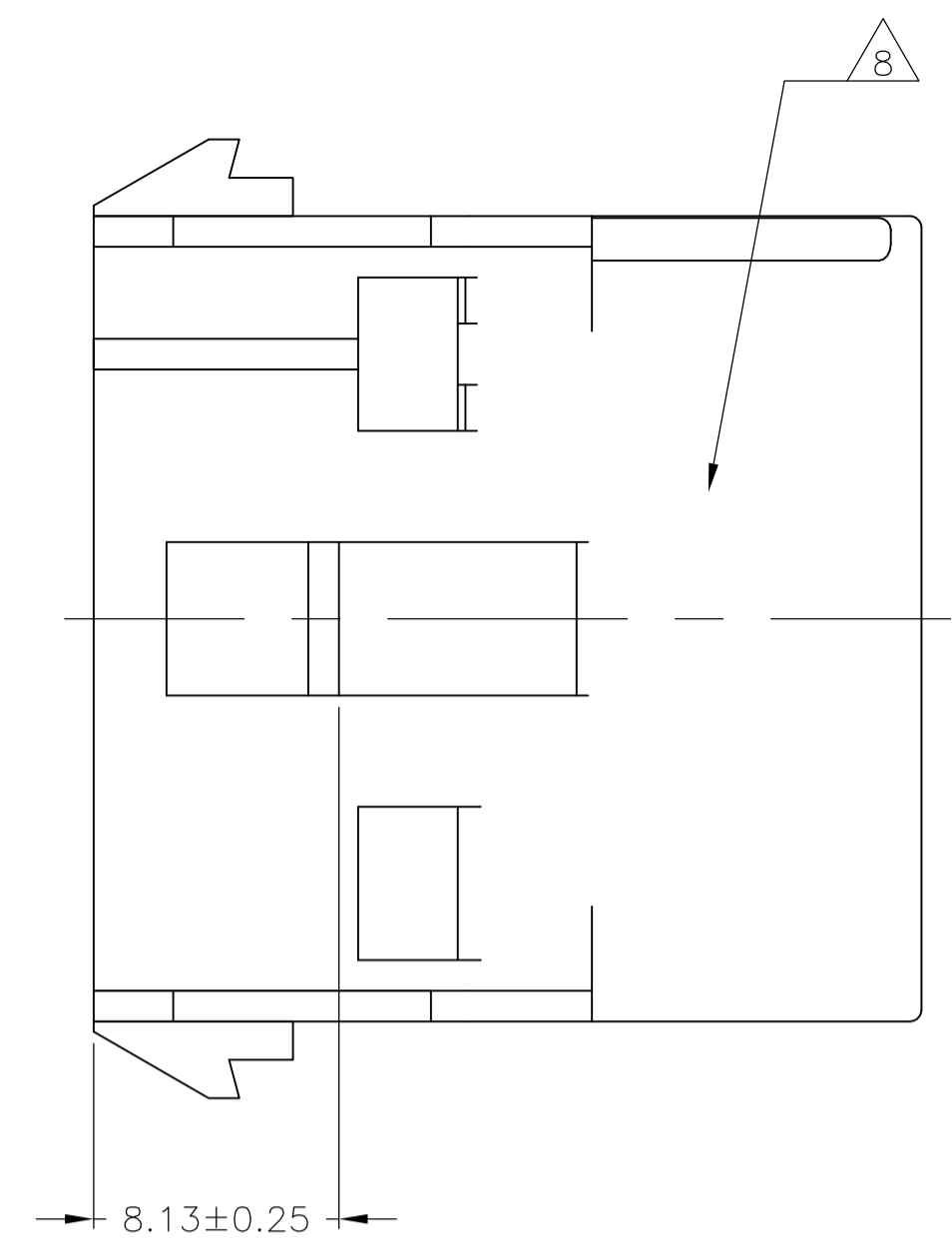
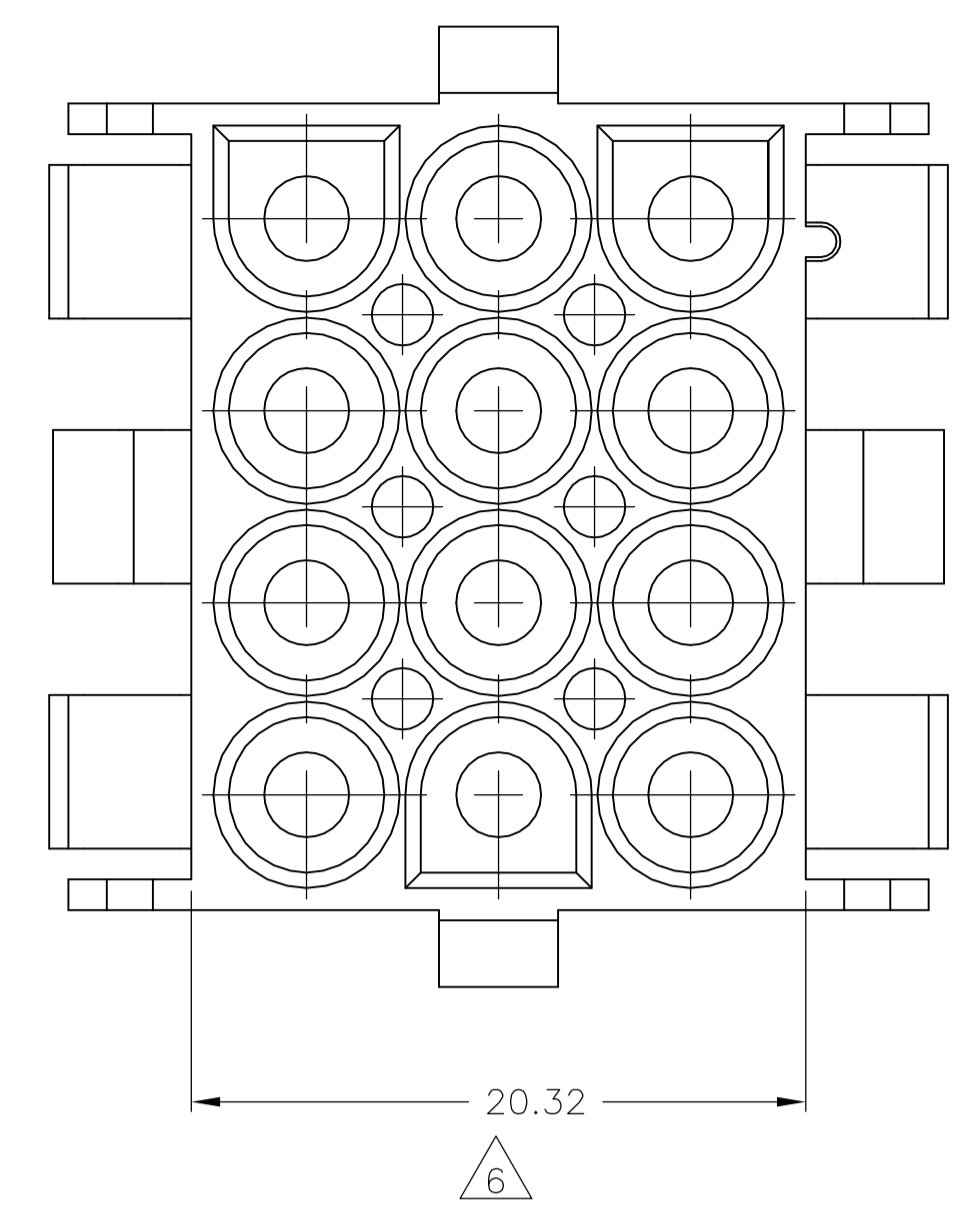
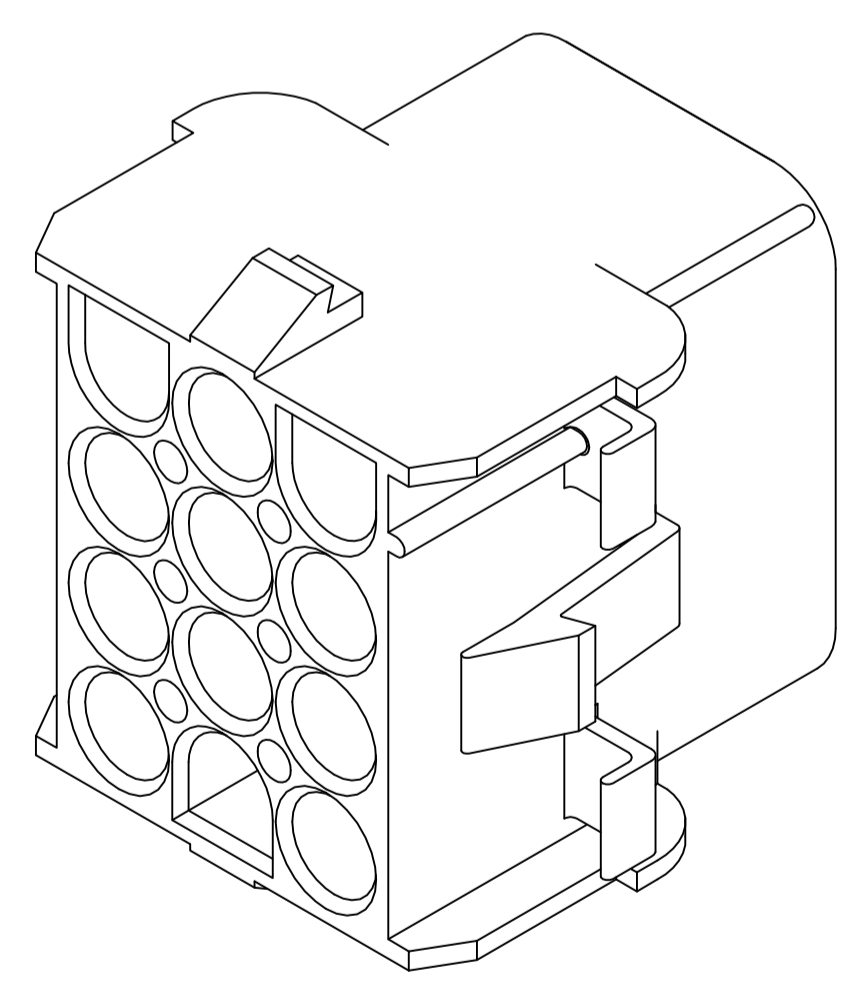
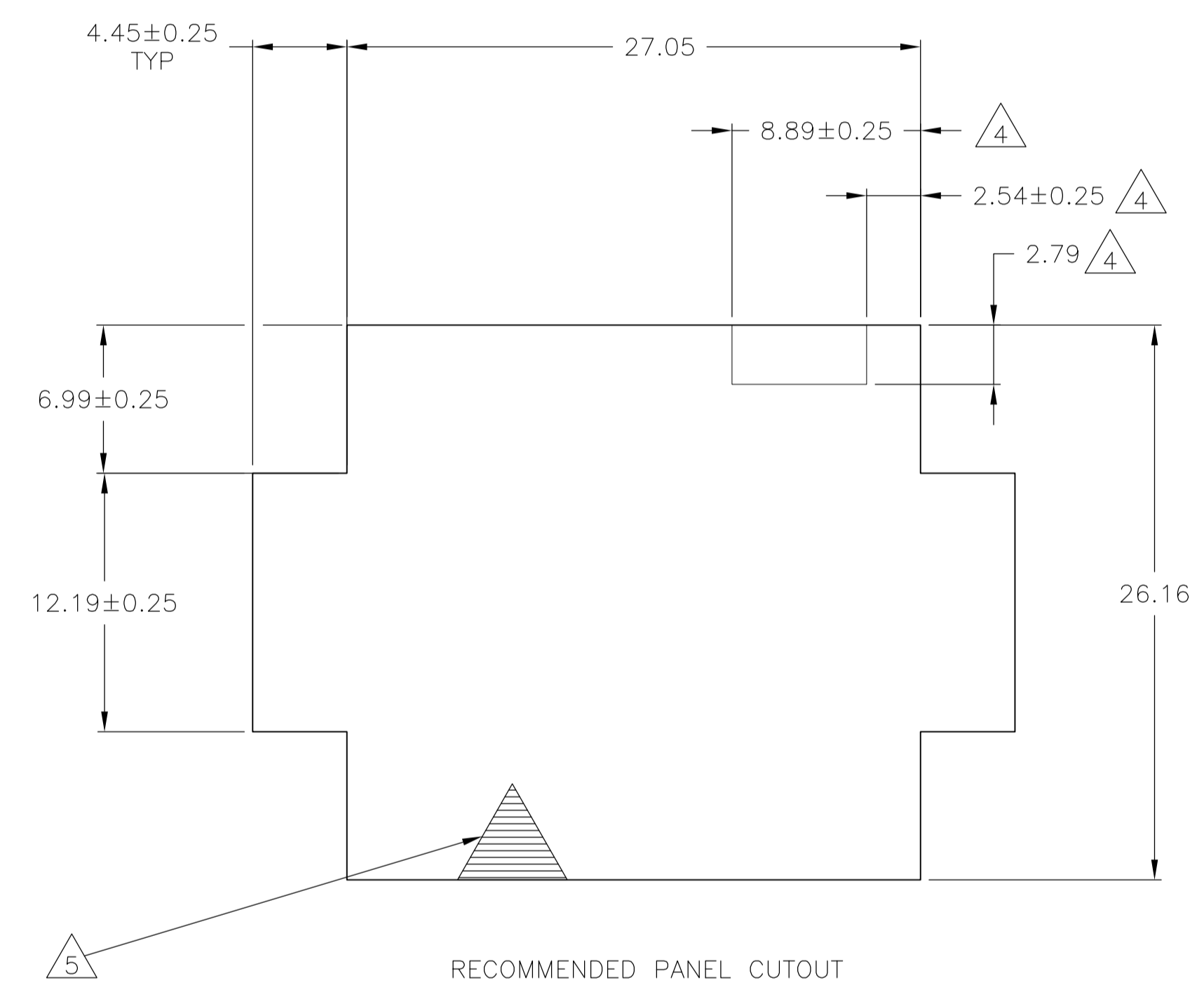
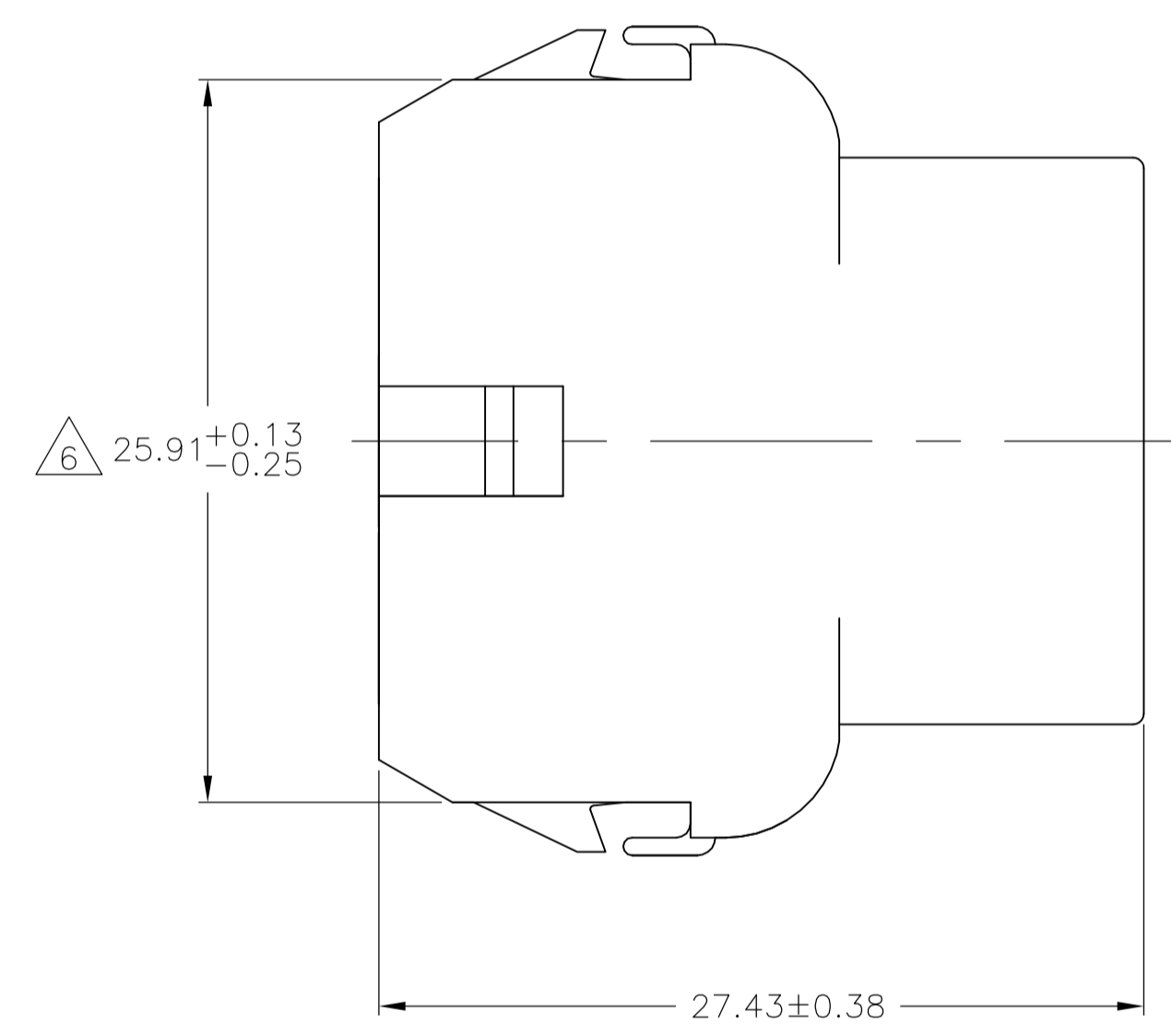
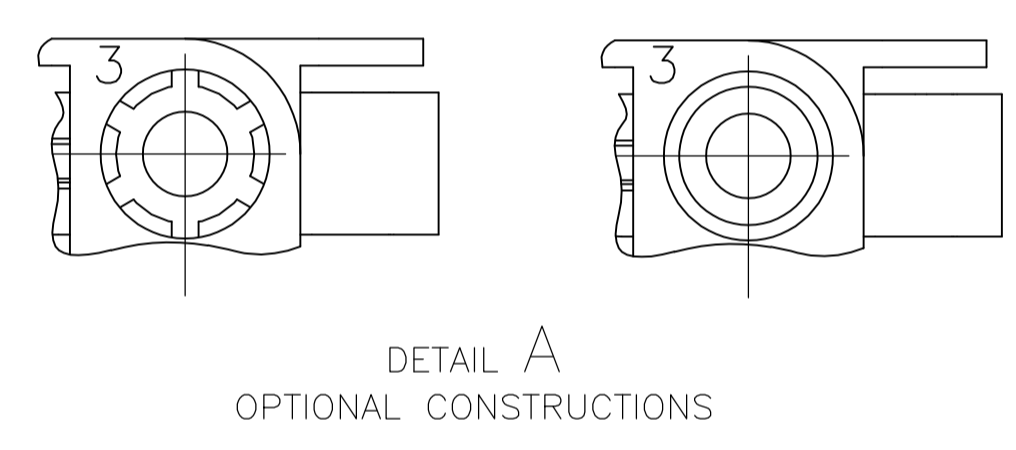


LOC	DIST	REVISIONS			
CM	00	REV	DESCRIPTION	DATE	APP'D
AL2		1	REVISED PER ECO-11-004587	11MAR11	RK HMR



1. MATE WITH APPROPRIATE UNIVERSAL MATE-N-LOCK™ PLUG.
2. RECOMMENDED PANEL THICKNESS 0.75 - 2.29.
3. PANEL MUST BE PUNCHED SO THAT THE HOUSING ENTERS THE PANEL IN THE SAME DIRECTION AS THE PUNCH.
4. OPTIONAL FOR KEYING HOUSING IN PANEL.
5. CIRCUIT NUMBER 1 LOCATION.
6. DIMENSION INDICATED IS AS MOLDED. ADDITIONAL GROWTH DUE TO SUBSEQUENT MOISTURE ABSORPTION MAY OCCUR.
7. FOUR RIBS EQUALLY SPACED, NO SPECIFIC ORIENTATION. NO RIBS OR SIX RIBS EQUALLY SPACED, NO SPECIFIED ORIENTATION, OPTIONAL.
8. UNDERWRITERS RECOGNIZED COMPONENT LOGO AND CSA CERTIFICATION LOGO TO BE LOCATED ONCE EACH ON SIDE OF HOUSING.
9. OBSOLETE PARTS: OBSOLETE CIS STREAMLINING PER D.RENAUD/D.SINISI



3-DIMENSIONAL MODEL NTS

MM	IN	MM	IN
6.99	.275	27.43	1.080
4.45	.175	27.05	1.065
2.79	.110	26.67	1.050
2.54	.100	26.16	1.030
2.29	.090	25.91	1.020
0.76	.030	20.32	.800
0.38	.015	12.19	.480
0.25	.010	8.89	.350
0.13	.005	8.13	.320
MM	IN	MM	IN

CONVERSION TABLE

9	OBSOLETE	COLOR	PART NO
9	OBSOLETE	BLACK	1-480709-9
9	OBSOLETE	GRAY	1-480709-8
9	OBSOLETE	BLUE	1-480709-6
9	OBSOLETE	GREEN	1-480709-5
9	OBSOLETE	YELLOW	1-480709-4
9	OBSOLETE	ORANGE	1-480709-3
9	OBSOLETE	RED	1-480709-2
9	OBSOLETE	BROWN	1-480709-1
9	OBSOLETE	NATURAL	1-480709-0

9 SUPERSEDED BY 1-480709-0

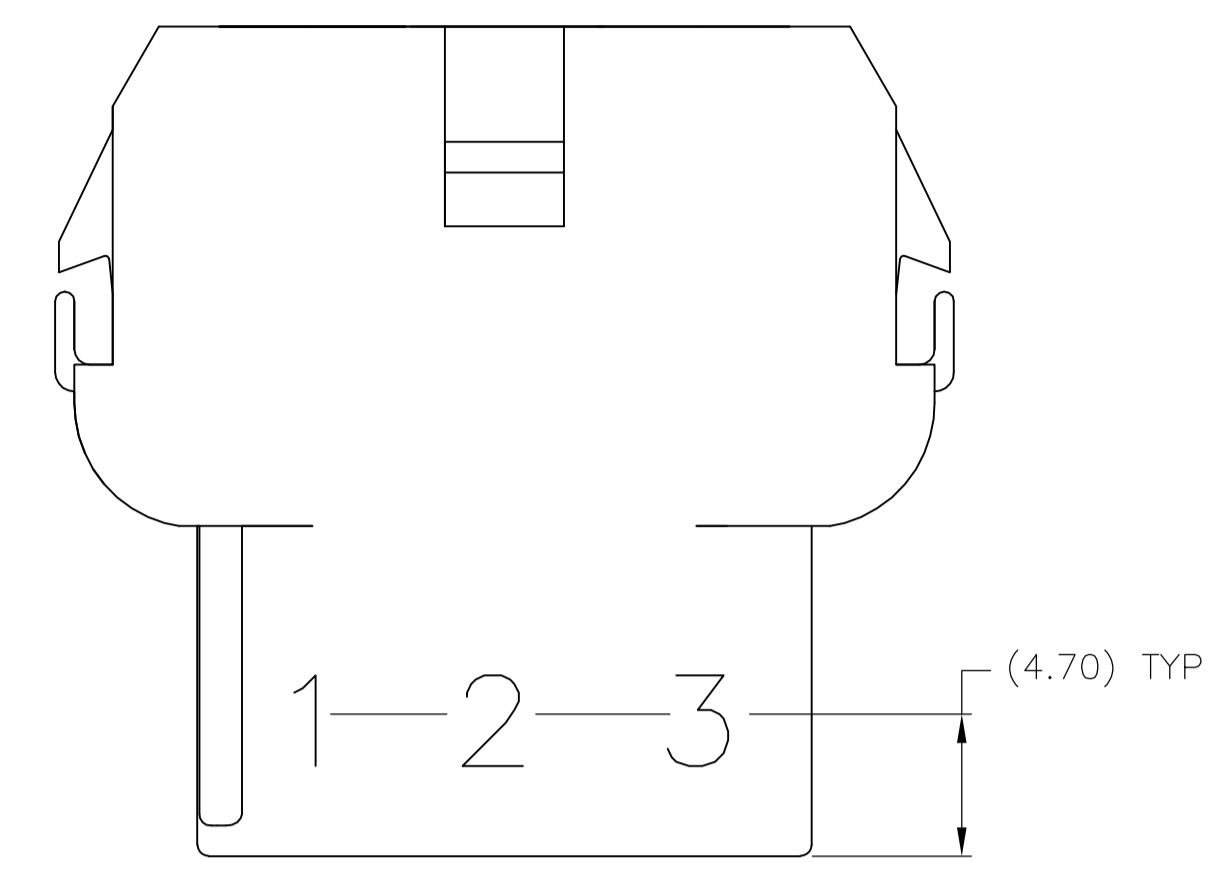
THIS DRAWING IS A CONTROLLED DOCUMENT.

DIMENSIONS: mm	TOLERANCES UNLESS OTHERWISE SPECIFIED:	DWG: K. WHITAKER 29JUL2004	CHK: S. RIDGILL 29JUL2004	APVD: S. RIDGILL 29JUL2004	NAME: CAP, 12 CIRCUIT, UNIVERSAL MATE-N-LOK™
0. PLC ± -	1. PLC ± -	PRODUCT SPEC	APPLICATION SPEC	SIZE: A1	CAGE CODE: 00779
2. PLC ± 0.13	3. PLC ± -	WEIGHT: -	RESTRICTED TO: -	SCALE: 4:1	SHEET: 1 OF 2
4. PLC ± -	ANGLES ± 0°30'	CUSTOMER DRAWING	REV: AL2		

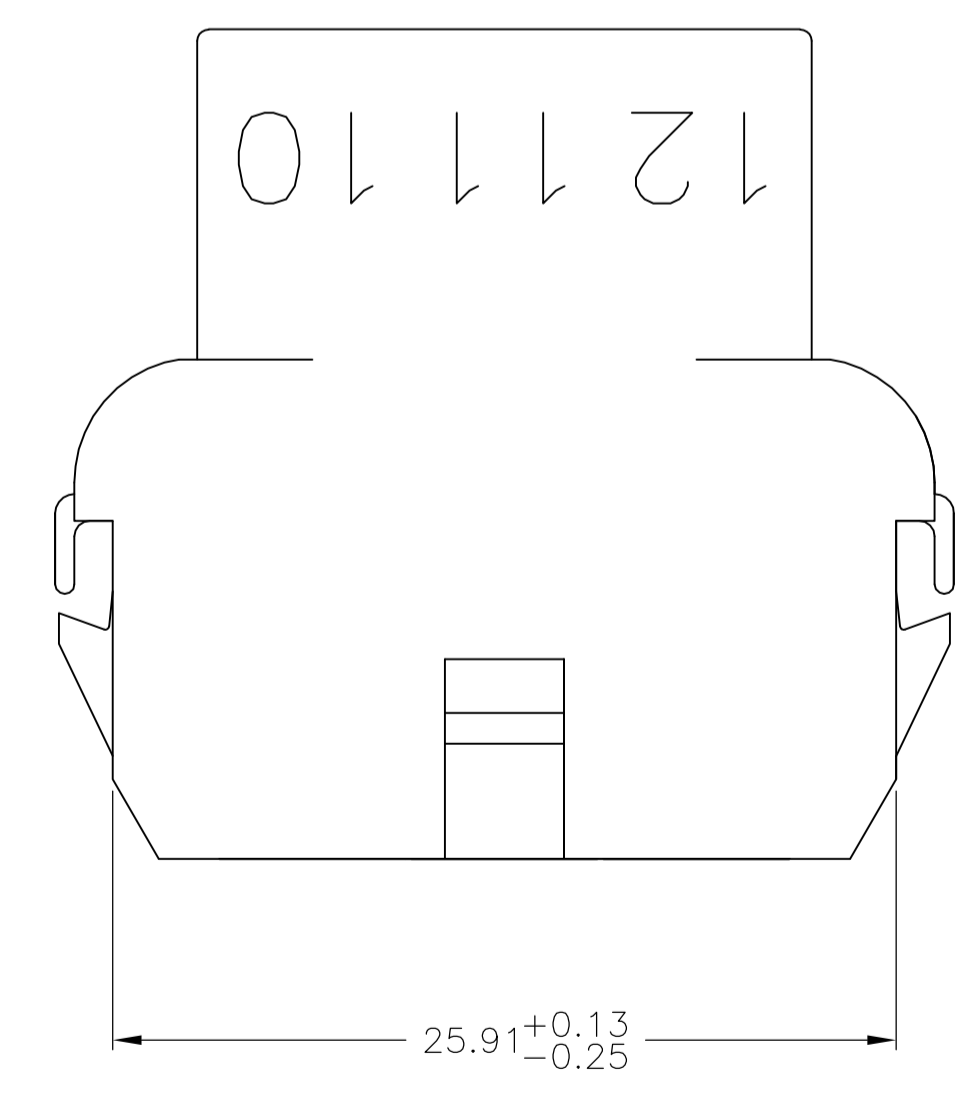
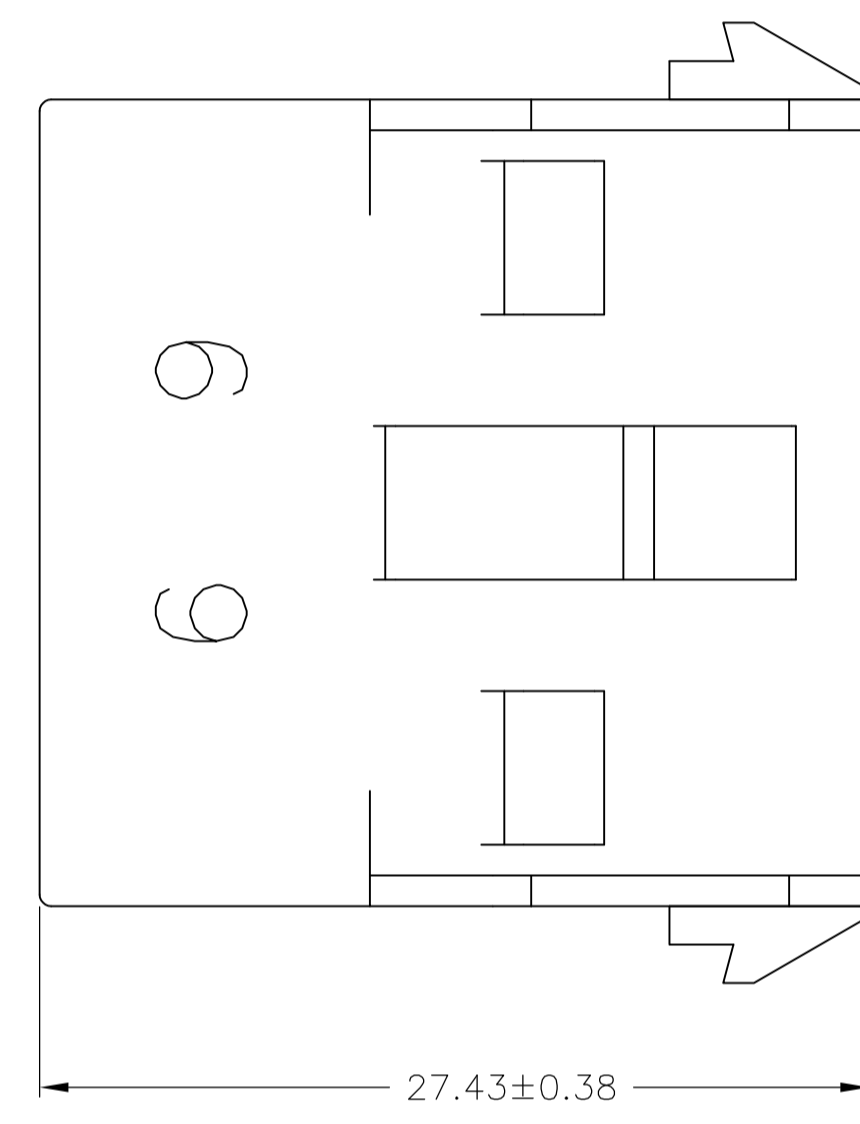
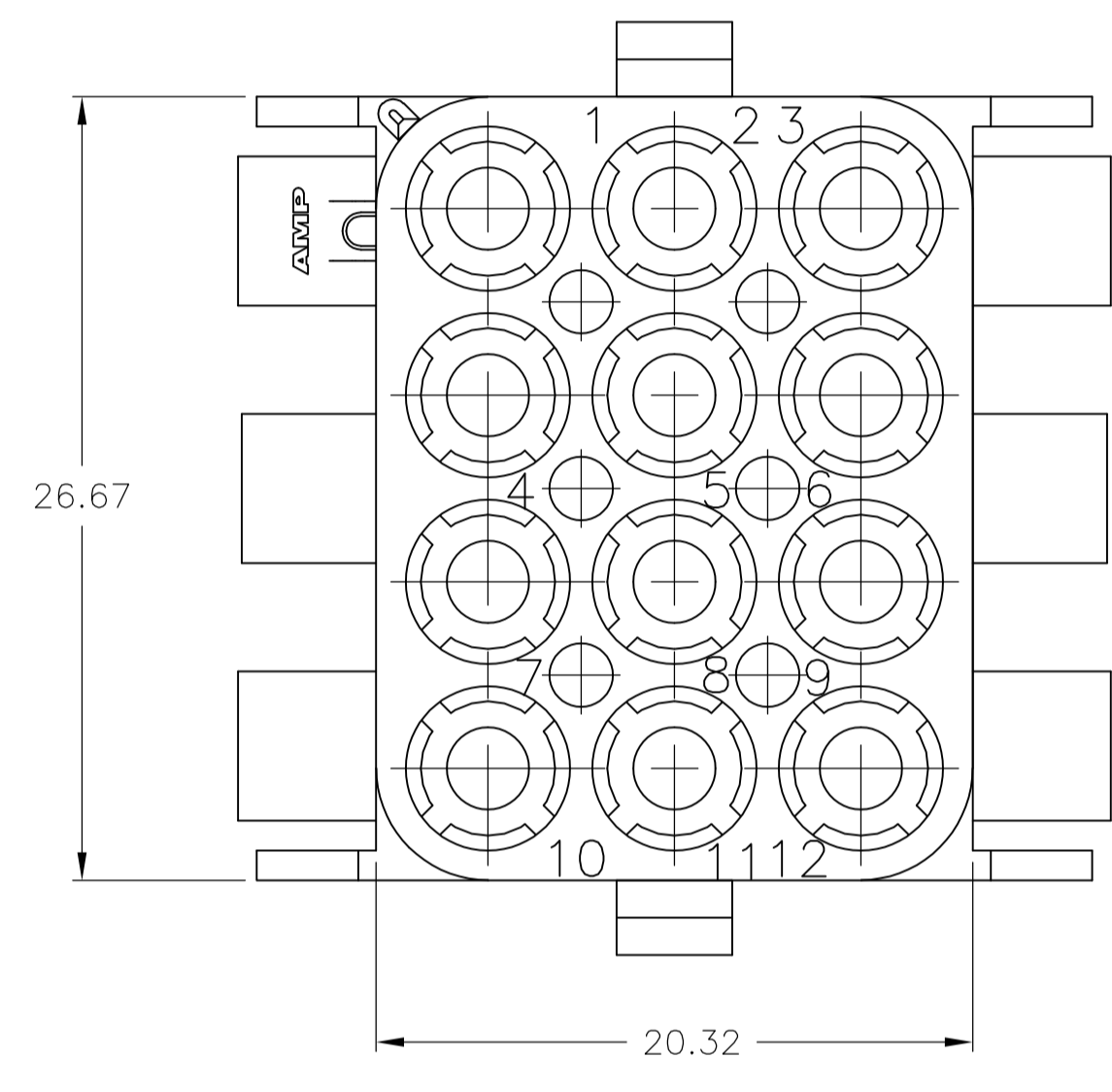
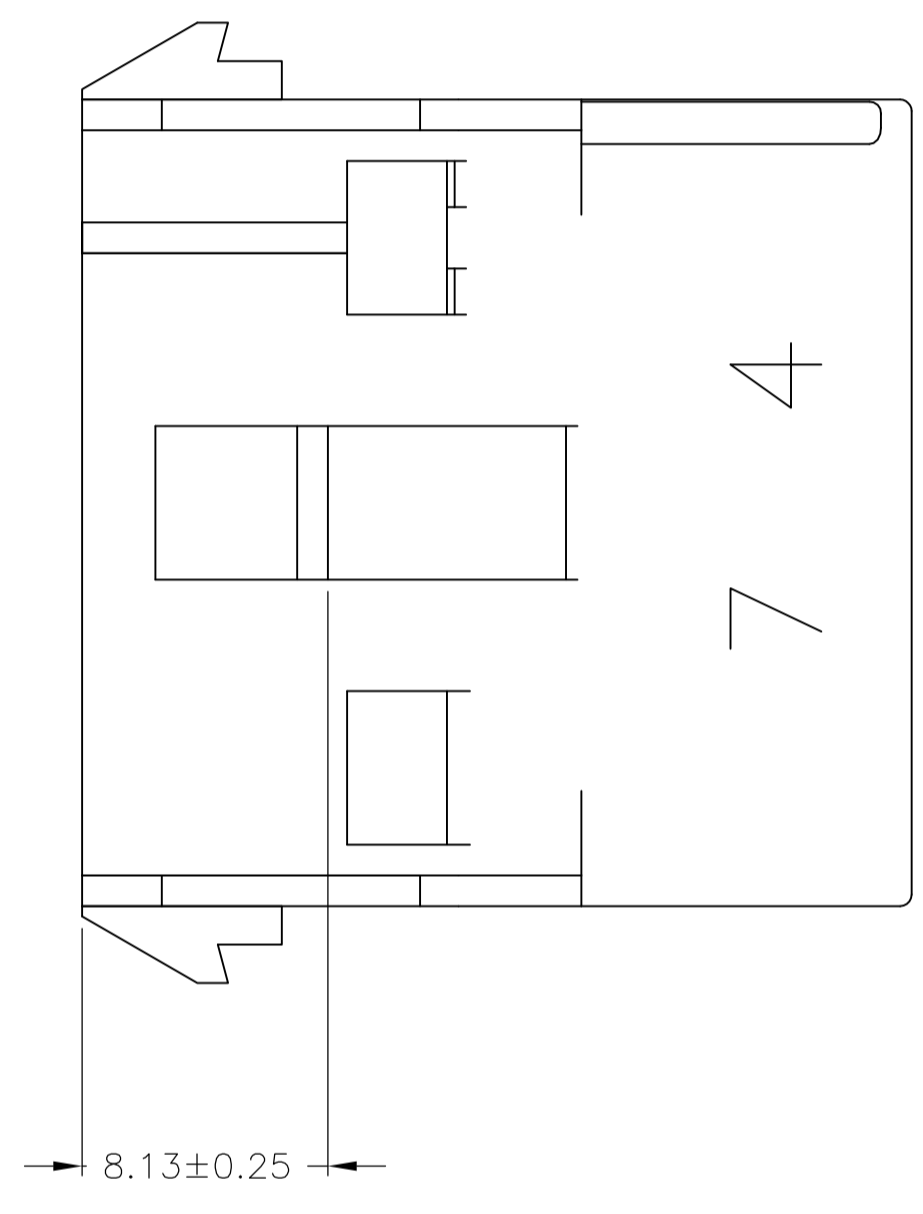
MATERIAL: NYLON, UL94V-2 FINISH: -

METRIC

LOC	DIST	REVISIONS			
P	LTR	DESCRIPTION	DATE	DN	APVD
CM	00	SEE SHEET 1	-	-	-



1. STAMP NUMBERS 3.18 HIGH AT WIRE END OF HOUSING (12 POINT DAVID TYPE); CLARIFICATION MARKS UNDER THE 6 & 9.
2. CHARACTERS TO BE STAMPED ON HOUSING IN A MANNER AS TO BE READ FROM WIRE END ONLY.
3. VIOLET, BLACK, BROWN, AND BLUE COLORED BLOCKS TO BE STAMPED WITH WHITE CHARACTERS. ALL OTHER COLORED BLOCKS TO BE STAMPED WITH BLACK CHARACTERS.



NATURAL	2-480709-0
COLOR	PART NO

MM	IN	MM	IN
5.08	.200	-	-
4.70	.185	27.43	1.080
3.18	.125	26.67	1.050
0.38	.015	25.91	1.020
0.25	.010	20.32	.800
0.13	.005	8.13	.320

CONVERSION TABLE

METRIC

THIS DRAWING IS A CONTROLLED DOCUMENT.

DIMENSIONS: mm	TOLERANCES UNLESS OTHERWISE SPECIFIED:	DIN K. WHITAKER 29JUL2004	CHK S. RIDGILL 29JUL2004	APVD S. RIDGILL 29JUL2004	NAME
0 PLC ± -	1 PLC ± -	2 PLC ± 0.13	3 PLC ± -	4 PLC ± -	ANGLES ± 0°30'
MATERIAL NYLON, UL94V-2	FINISH -	SIZE A1	WEIGHT -	CAGE CODE 00779	DRAWING NO C=480709
CUSTOMER DRAWING				SCALE 1:1	SHEET 2 OF 2

STE TE Connectivity
CAP, 12 CIRCUIT, UNIVERSAL MATE-N-LOK™
RESTRICTED TO